

SIRUBA®

銀箭牌工業用縫紉機

INDUSTRIAL SEWING MACHINE

L818F-BH1/BM1

零件圖 PARTS LIST



From the library of: Diamond Needle Corp

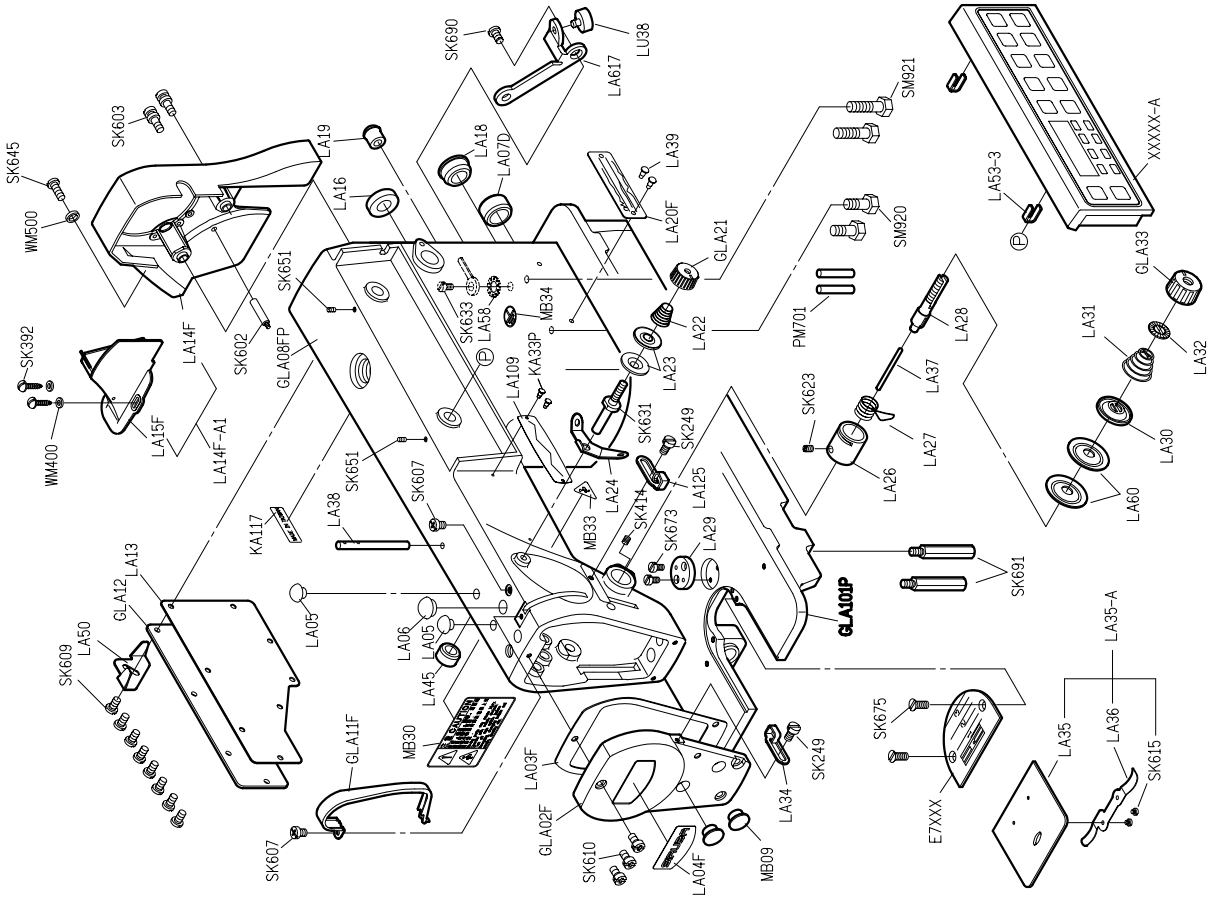
CE



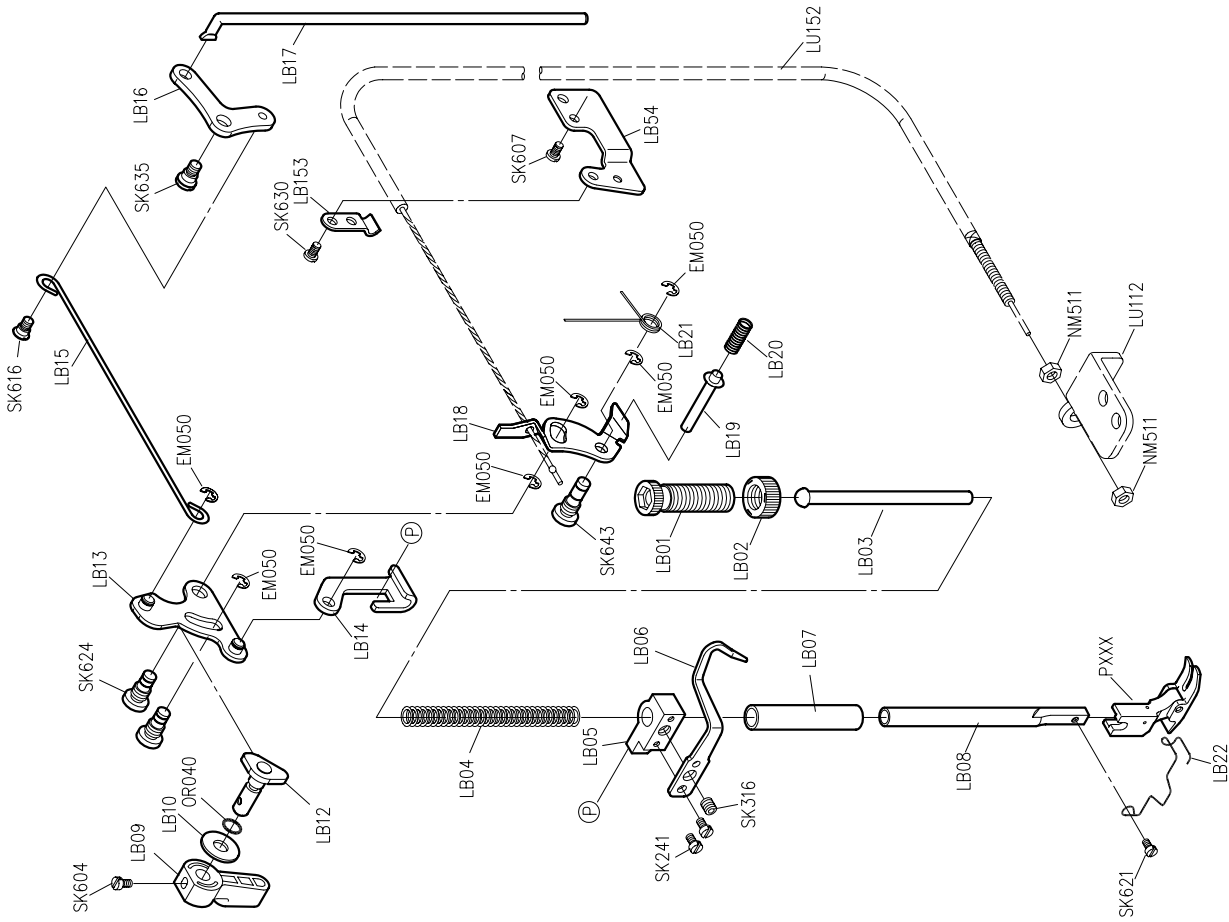
高林股份有限公司
KAULIN MFG. CO., LTD.

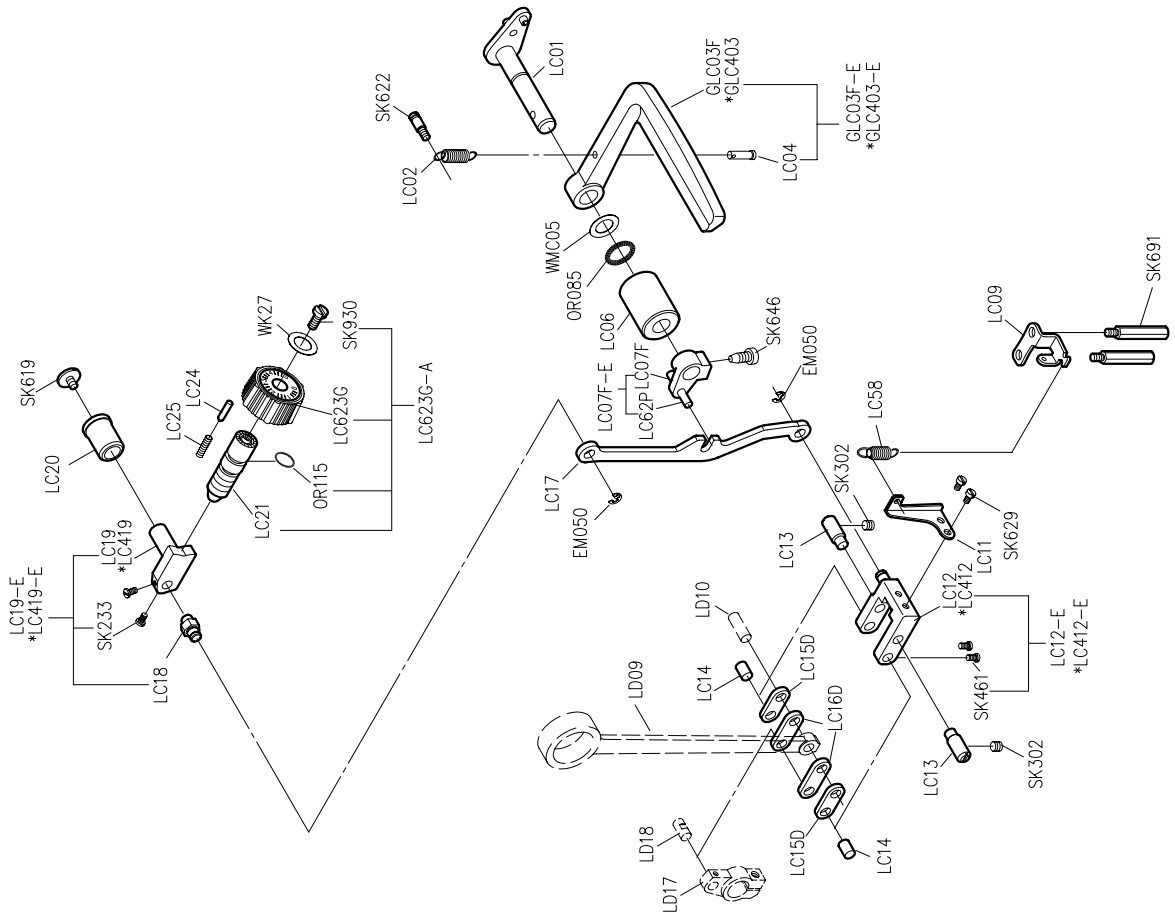
MODEL	SUB-CLASS	OPERATING PANEL	NEEDLE PLATE	FEED DOG	PRESSER FOOT	HOOK ASM	BOBBIN CASE ASM	BOBBIN	NEEDLE	HAND WHEEL
機型	規格	操作盒	針板	送具	押具	梭頭	梭殼	梭子	針號	皮帶輪
L818F-BM1-00	中厚布料	L A55F-A	E704	D701	P701	G121	G202	G303	DB*1#11	GLH101-A1
L818F-BM1-03		□L600	E704	D701	P701	G121	G202	G303	DB*1#11	GLH101-A1
L818F-BM1-10		L A55F-A	E711	D711	P711D	G122J	G202	G303	DB*1#21	GLH101-A1
L818F-BM1-13		□L600	E711	D711	P711D	G122J	G202	G303	DB*1#21	GLH101-A1
L818F-BH1-00	中厚布料 至 厚布料	L A55F-A	E704D	D702	P701	G121	G202	G303	DB*1#11	GLH101-A1
L818F-BH1-03		□L600	E704D	D702	P701	G121	G202	G303	DB*1#11	GLH101-A1
L818F-BH1-10		L A55F-A	E711D	D711D	P711D	G122J	G202	G303	DB*1#21	GLH101-A1
L818F-BH1-13		□L600	E711D	D711D	P711D	G122J	G202	G303	DB*1#21	GLH101-A1
L818F-BM1A-00	中厚布料 至 厚布料	L A55F-A	E704	D701	P701	G121	G202	G303	DB*1#11	GLH101-A1
L818F-BM1A-03		□L600	E704	D701	P701	G121	G202	G303	DB*1#11	GLH101-A1
L818F-BM1A-10		L A55F-A	E711	D711	P711D	G122J	G202	G303	DB*1#21	GLH101-A1
L818F-BM1A-13		□L600	E711	D711	P711D	G122J	G202	G303	DB*1#21	GLH101-A1
L818F-BH1A-00	中厚布料 至 厚布料	L A55F-A	E704D	D702	P701	G121	G202	G303	DB*1#11	GLH101-A1
L818F-BH1A-03		□L600	E704D	D702	P701	G121	G202	G303	DB*1#11	GLH101-A1
L818F-BH1A-10		L A55F-A	E711D	D711D	P711D	G122J	G202	G303	DB*1#21	GLH101-A1
L818F-BH1A-13		□L600	E711D	D711D	P711D	G122J	G202	G303	DB*1#21	GLH101-A1

PARTS LIST FOR LA GROUP

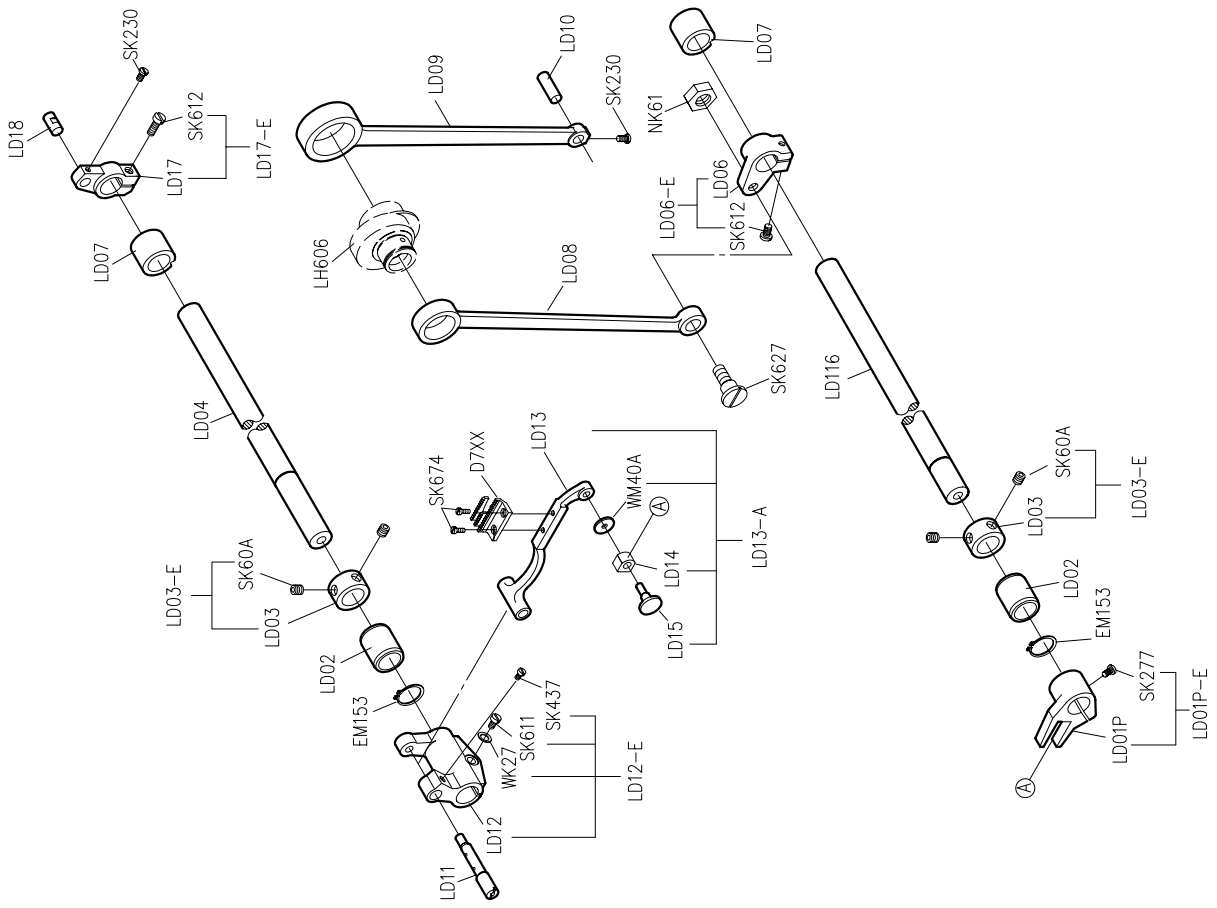


PARTS LIST FOR LB GROUP



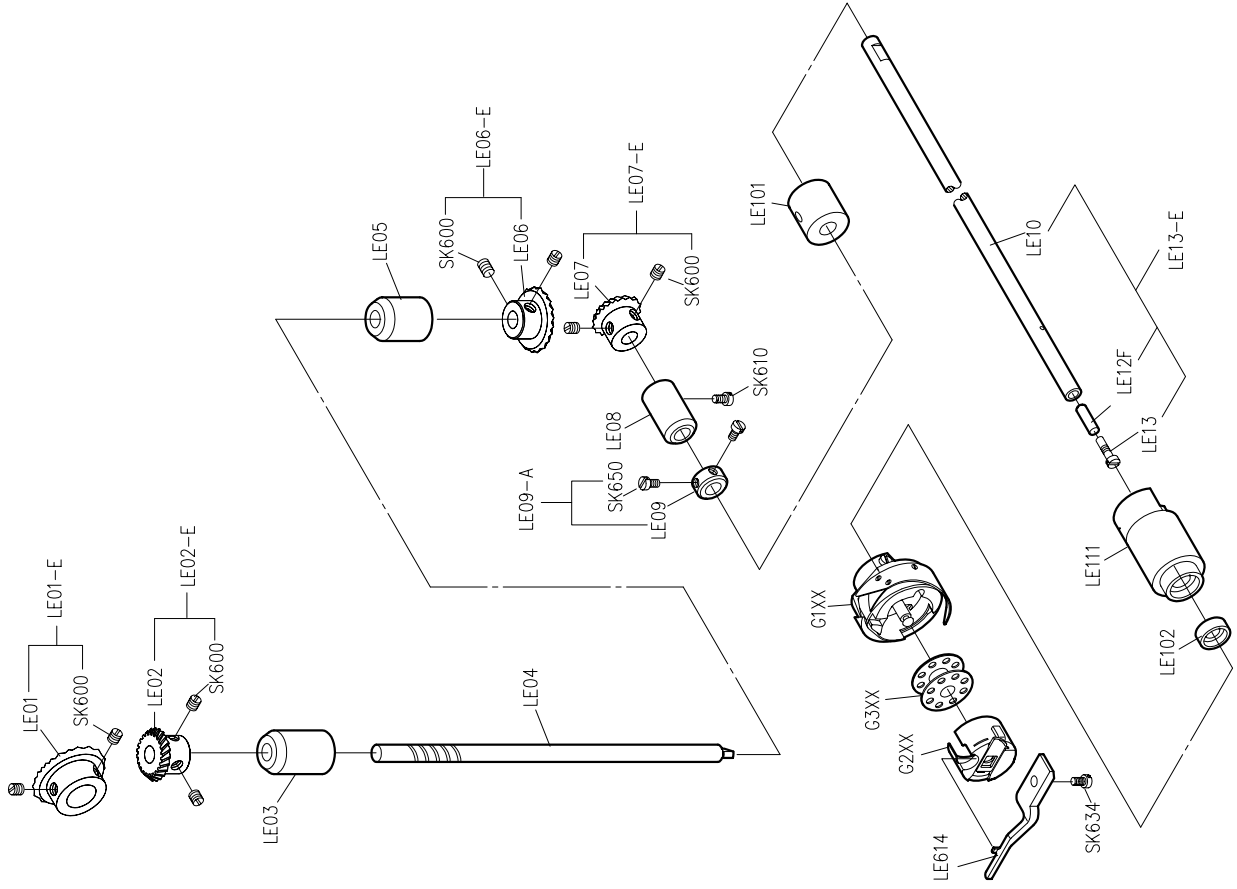


FOR L818F-BM1/BH1 TRIMMER
* L818F-BH1

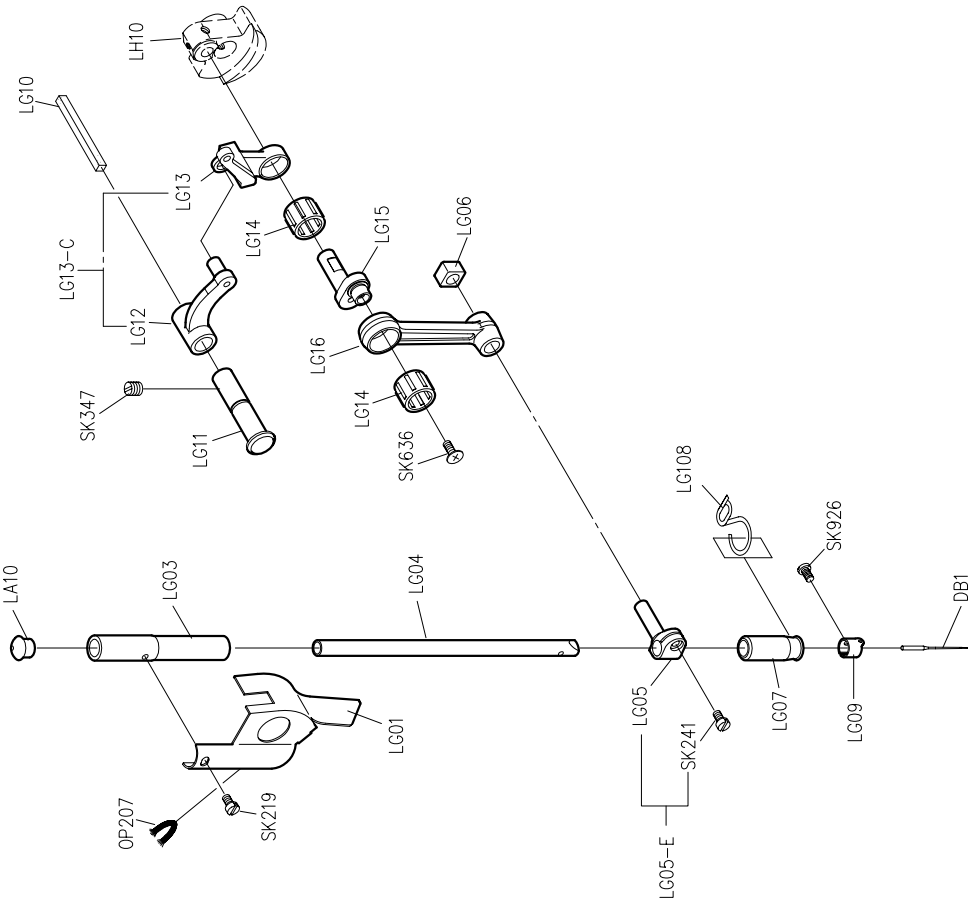


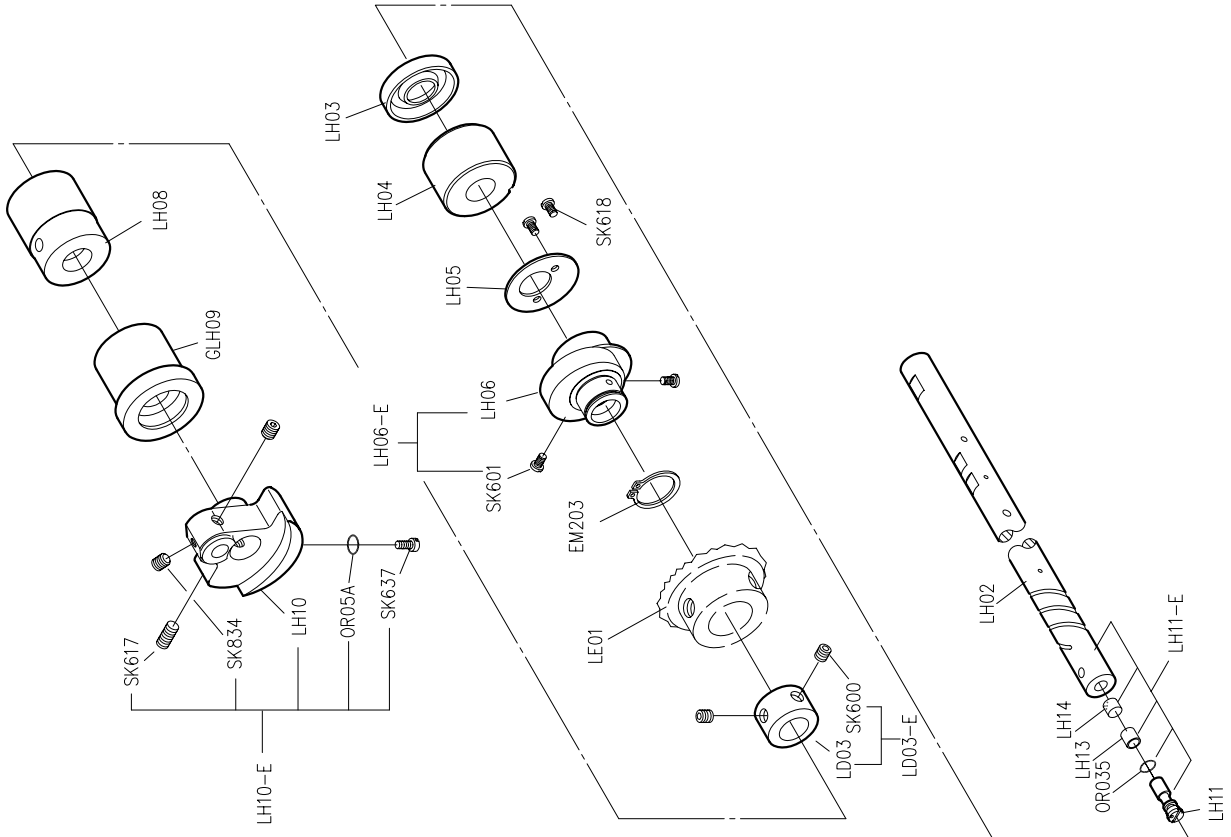
PARTS LIST FOR LC GROUP

PARTS LIST FOR LE GROUP



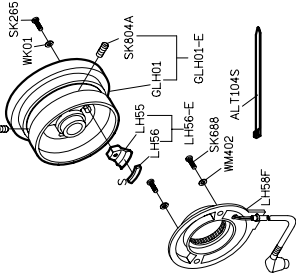
PARTS LIST FOR LG GROUP





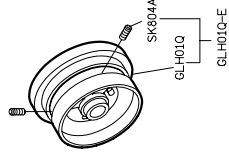
H 廠牌馬達

擺動式切刀



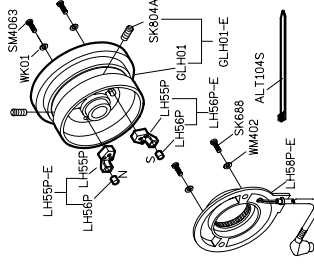
GLH01-A1

其他廠牌馬達 (可加後拉輪)



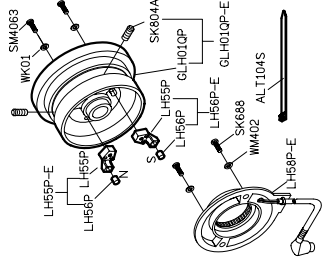
GLH01Q-E

P 廠牌馬達



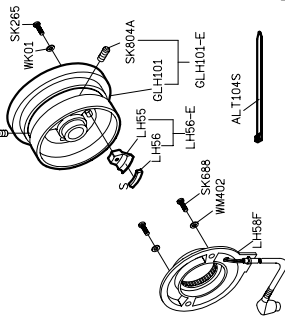
GLH01P-A

P 廠牌馬達 (可加後拉輪)

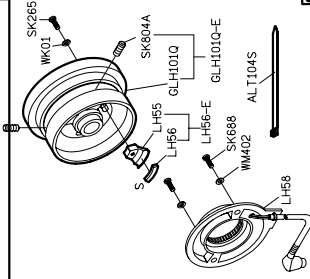


GLH01QP-A

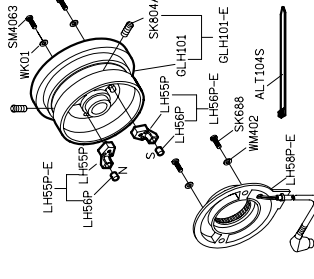
旋轉式切刀



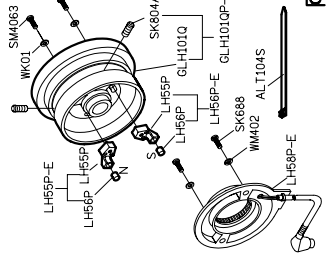
GLH01Q-A1



GLH01Q-A1



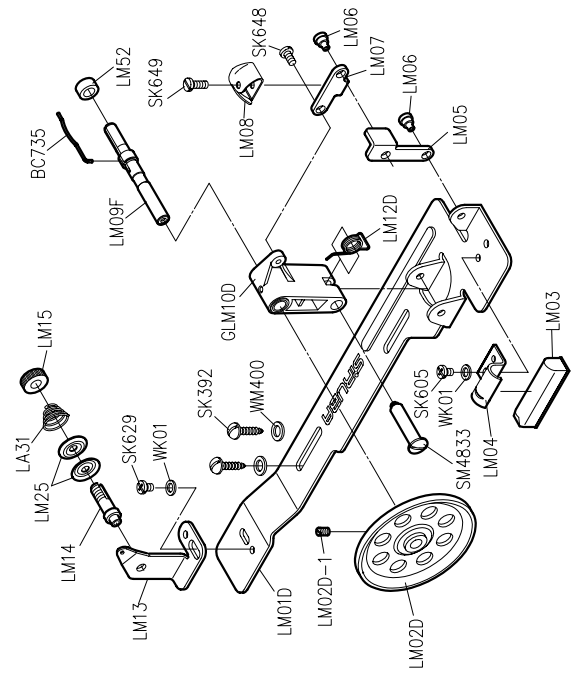
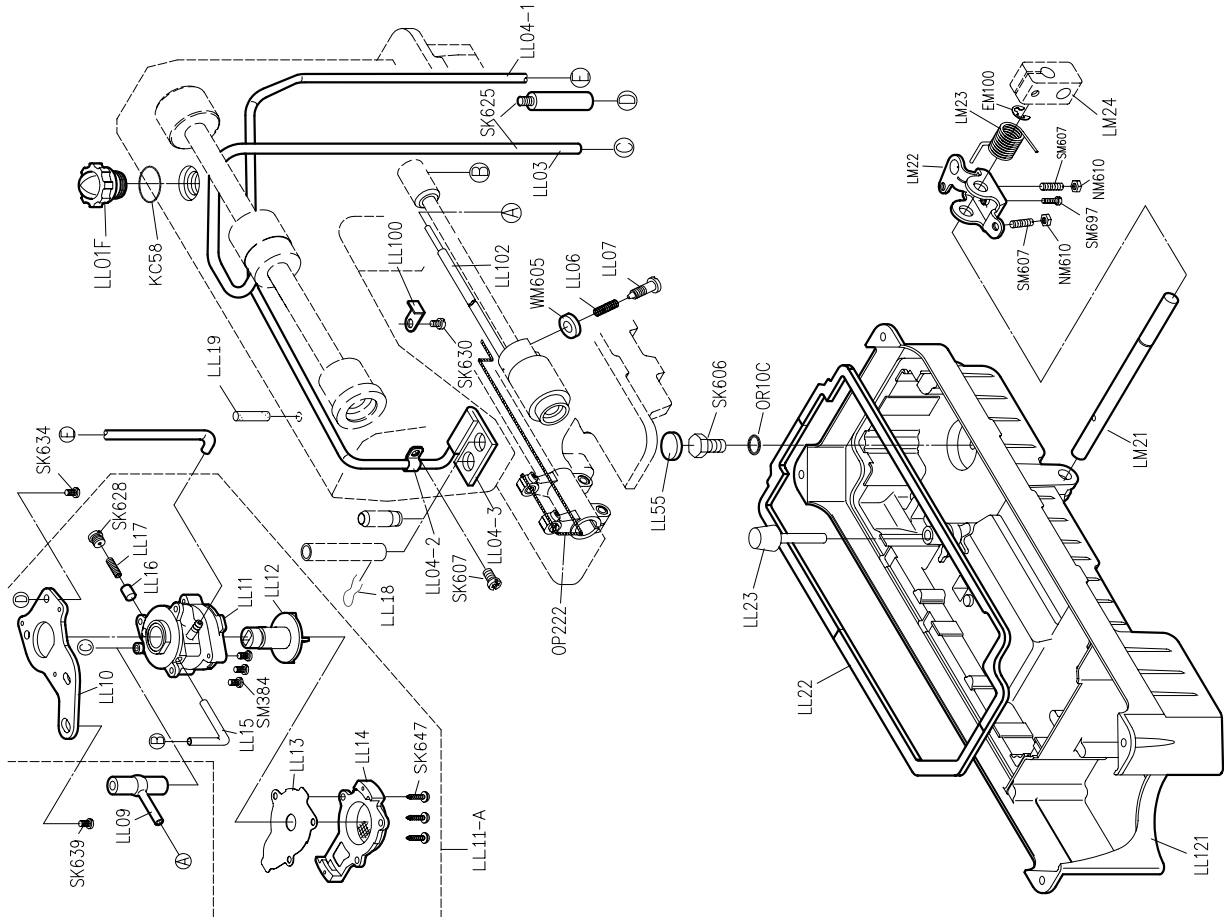
GLH01QP-A



GLH01QP-A

PARTS LIST FOR LL GROUP

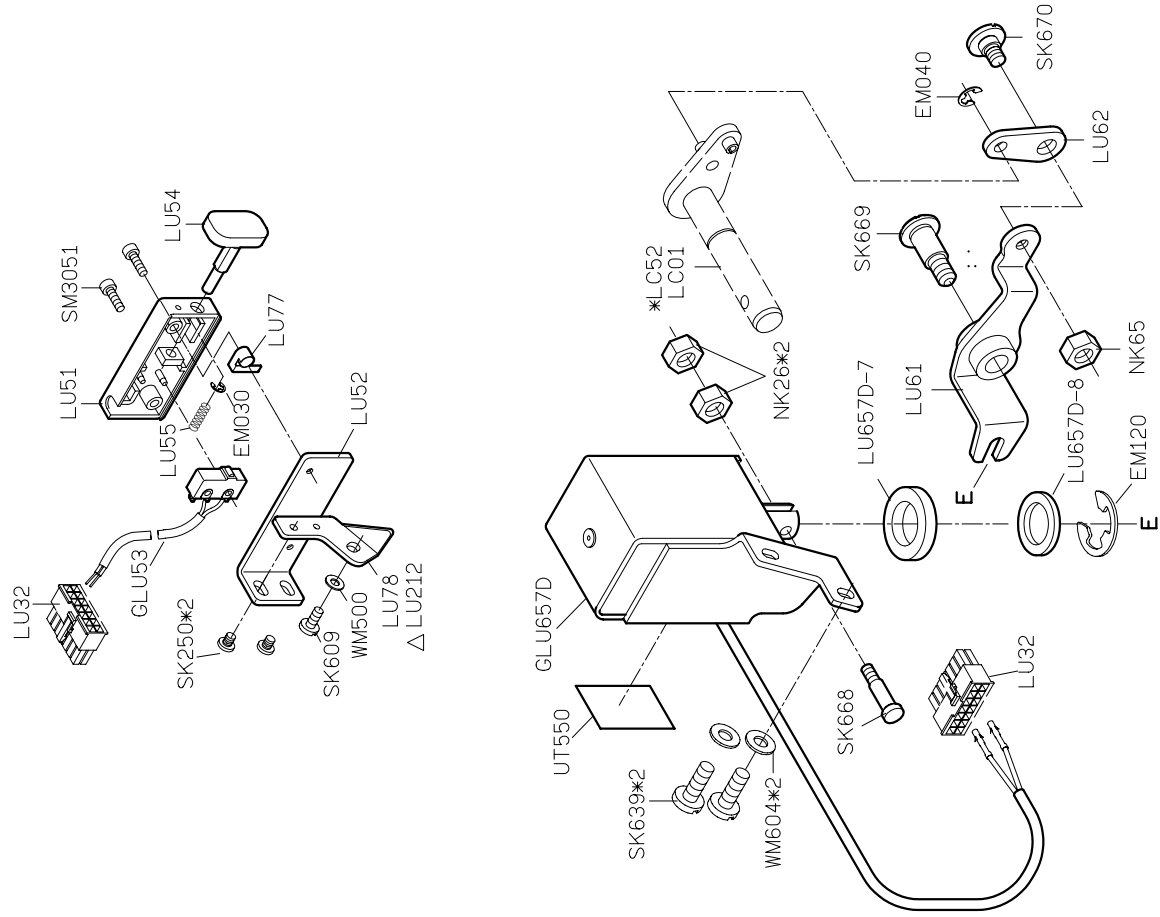
PARTS LIST FOR LM GROUP



LM24-E

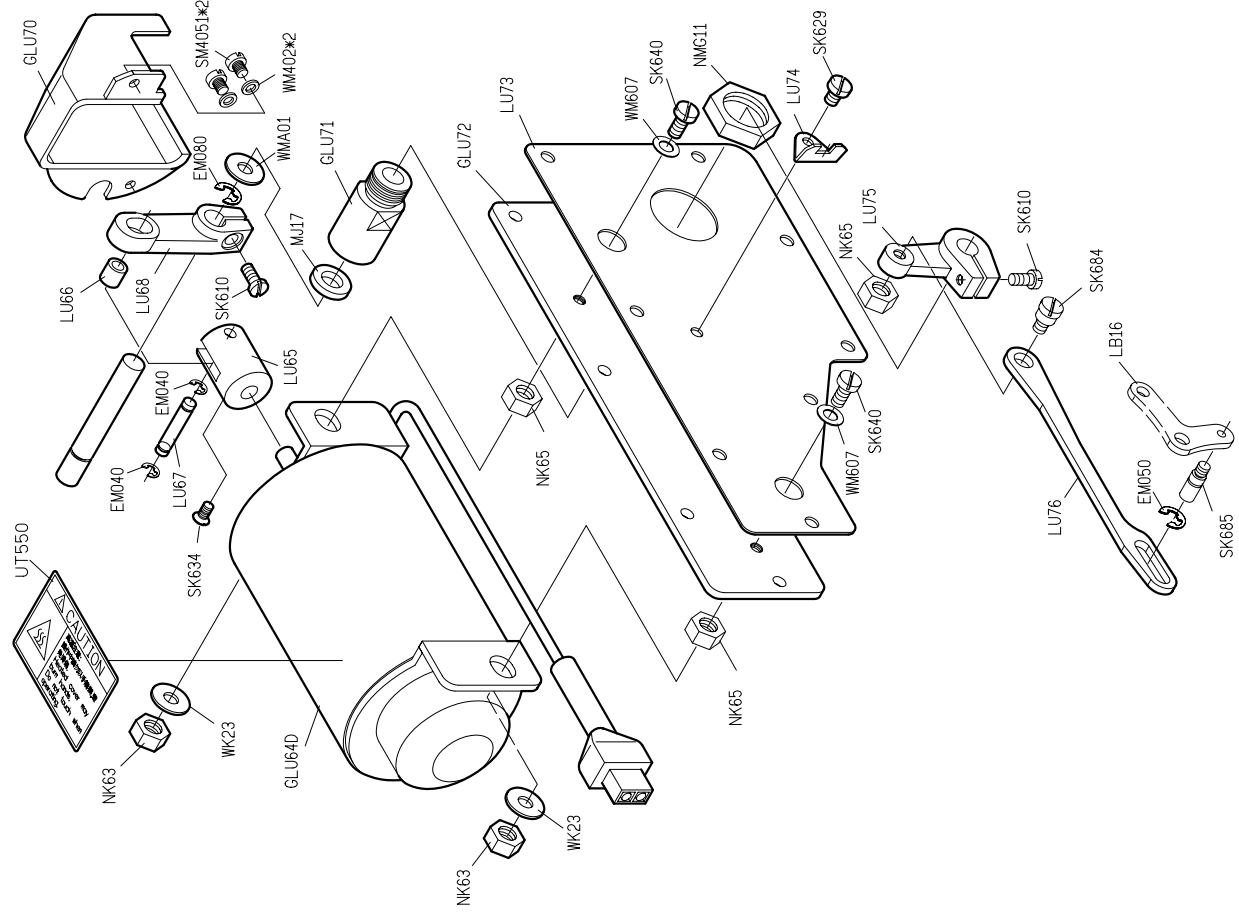
LM20-A

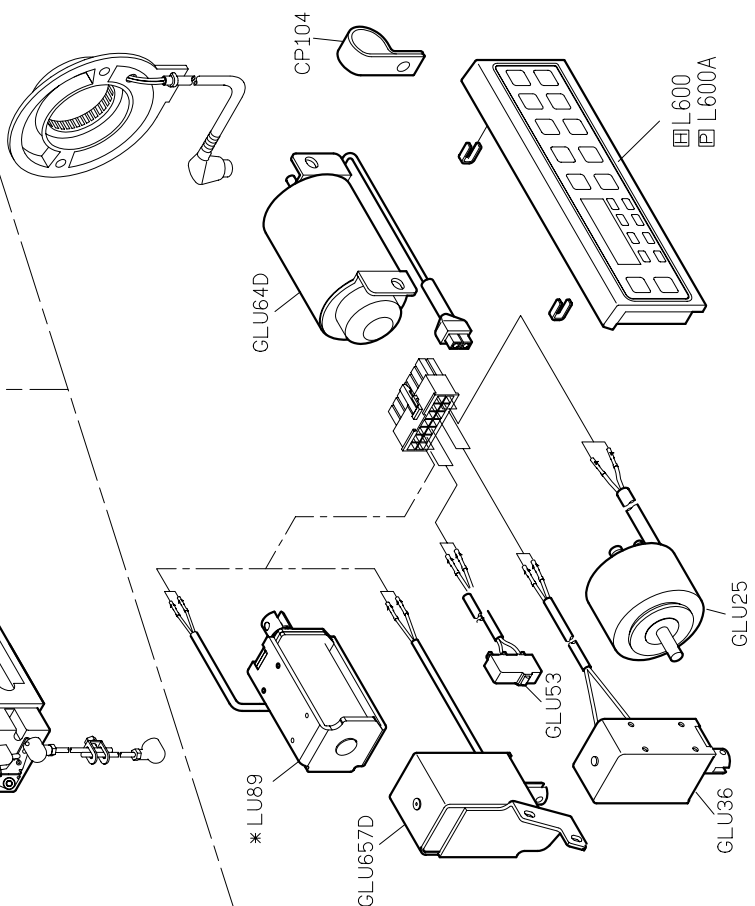
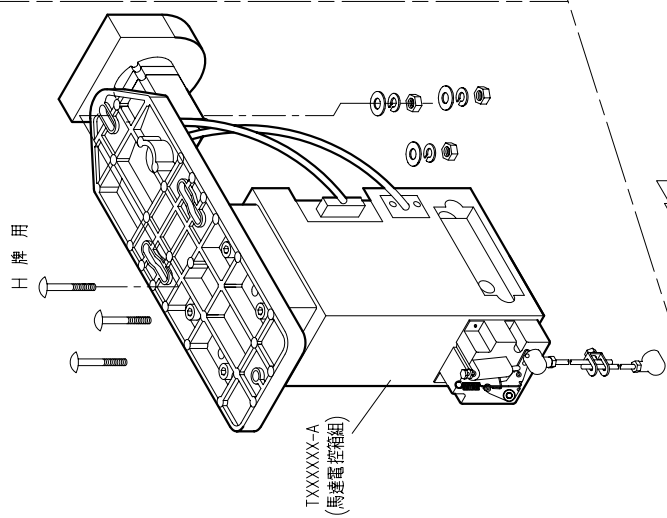
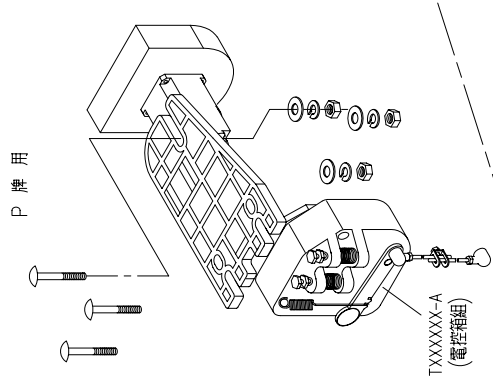
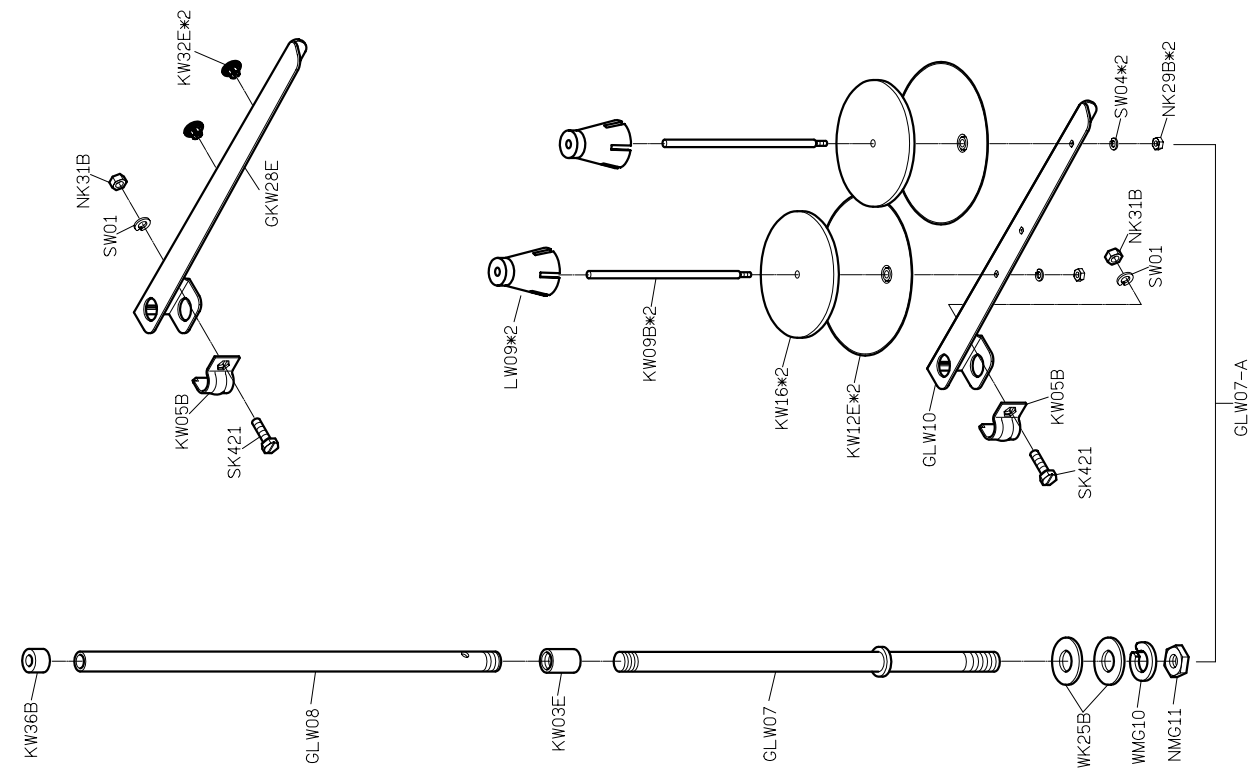
PARTS LIST FOR LU (3) GROUP



* ONLY FOR L818F-DM1 TRIMMER/L818F-DM3 TRIMMER
 △ ONLY FOR L818F-RM1 TRIMMER

PARTS LIST FOR LU (4) GROUP





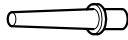
* ONLY FOR L818F-INF TRIMMER

PARTS LIST FOR LY GROUP

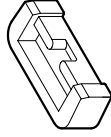
LY01



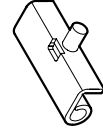
LY02



YM04*2



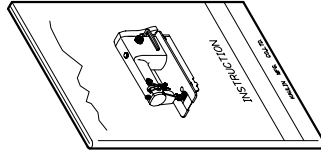
LY05*2



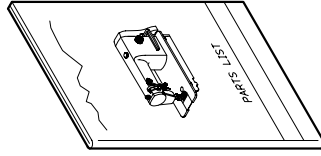
YM102*2



LY28



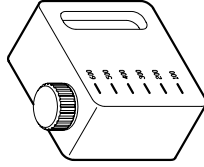
LY29



YM103*2



LY21-A



G3XX*2



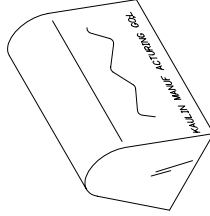
LY20*8



φ*2



GMY01



MY11



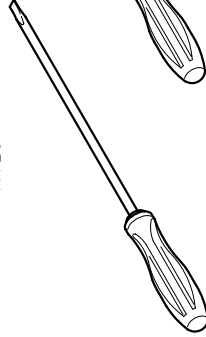
KZ03*1



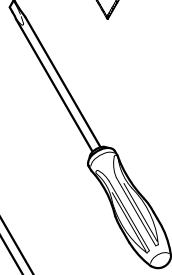
MY13



KY16



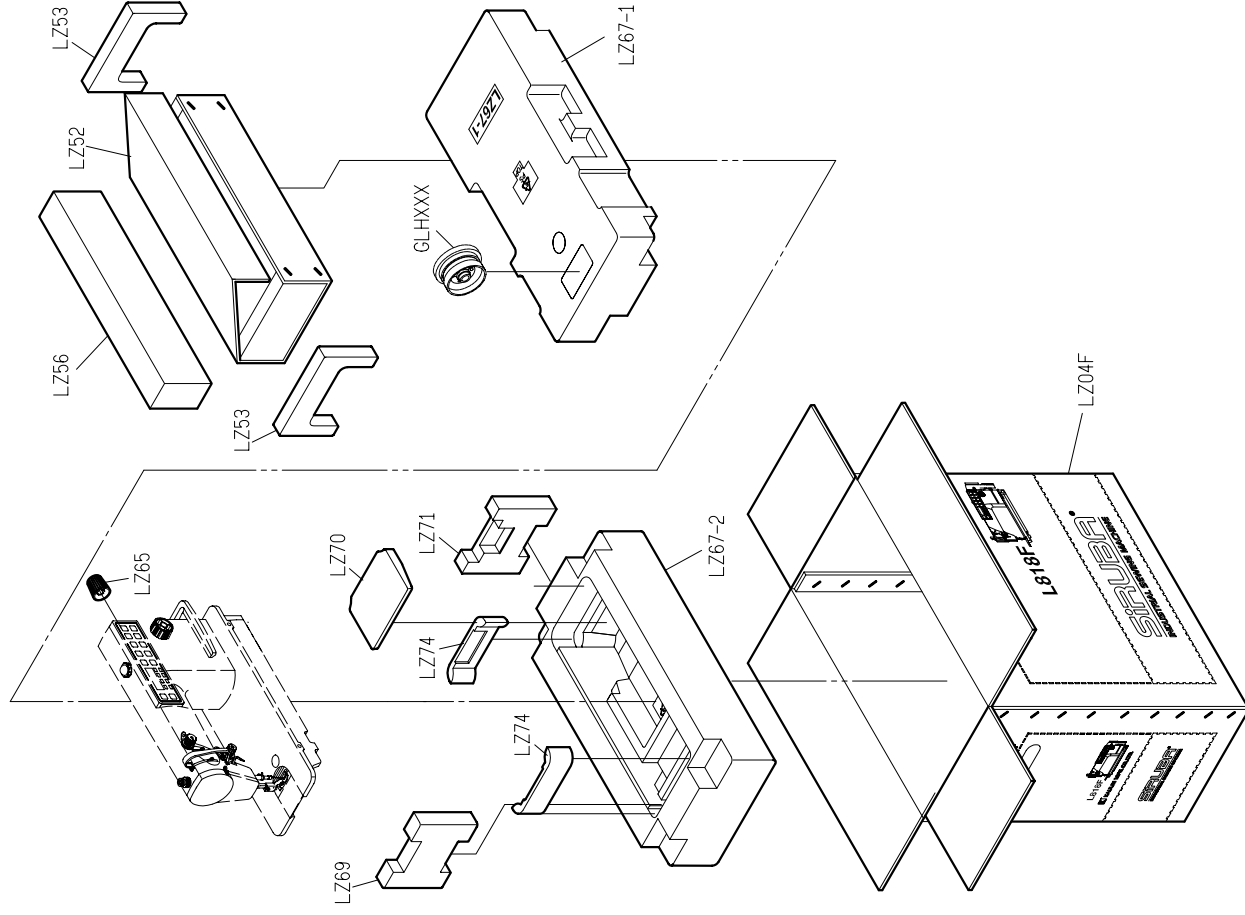
KY17



GKY26F



PARTS LIST FOR LZ GROUP





L818F-BH1/BM1

高林股份有限公司 KAULIN MFG. CO., LTD.

From the library of: Diamond Needle Corp